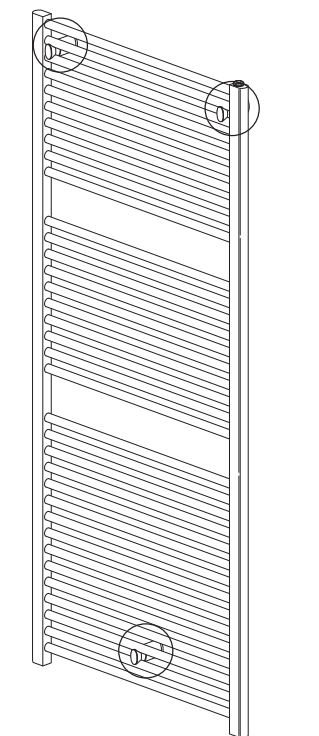
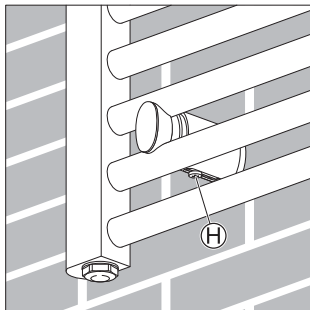
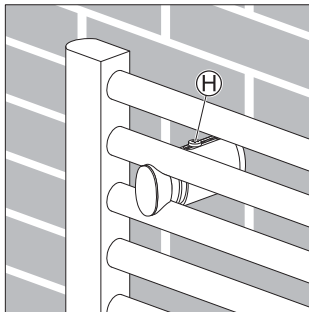
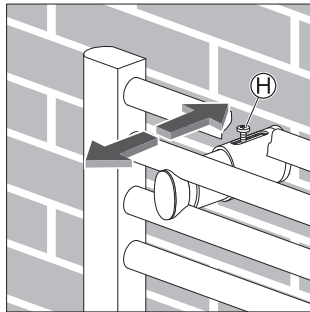
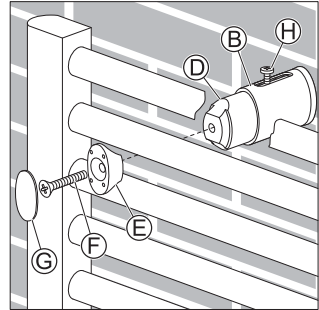
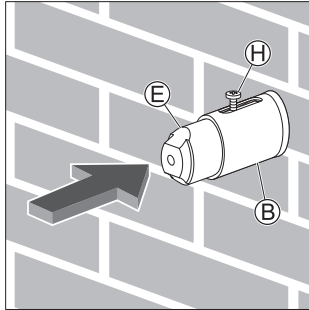
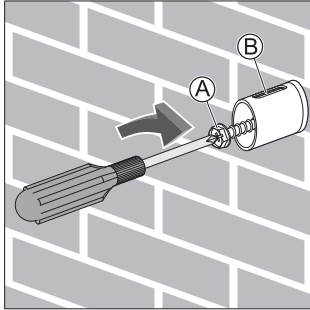
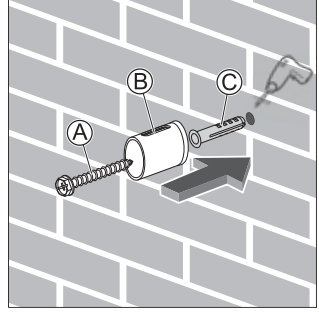
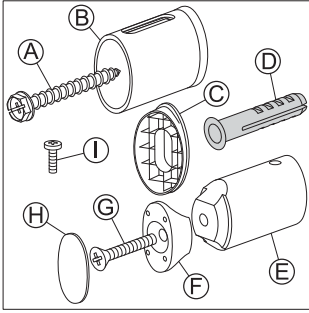
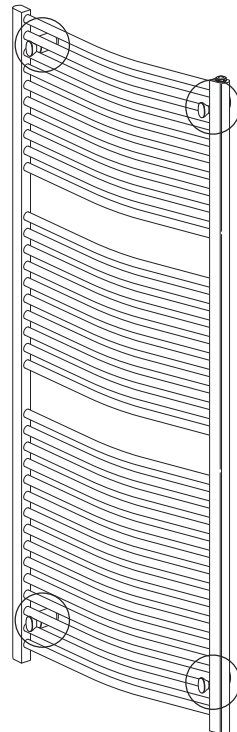
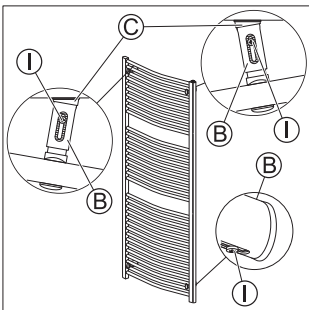
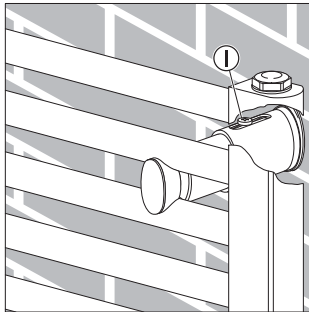
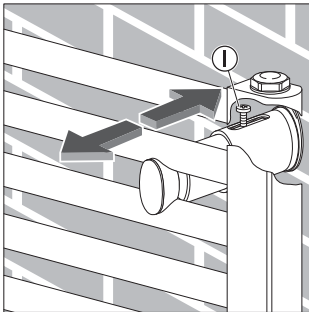
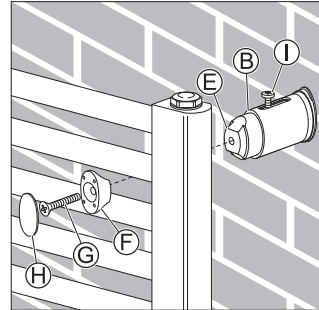
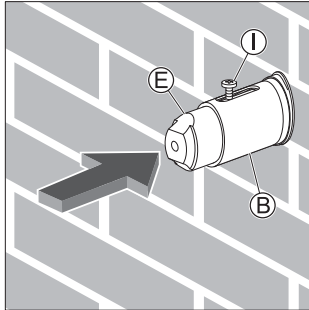
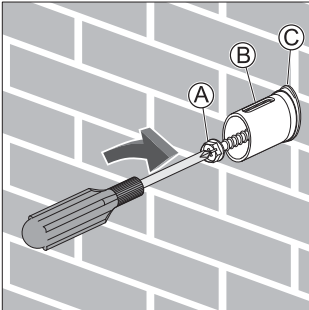
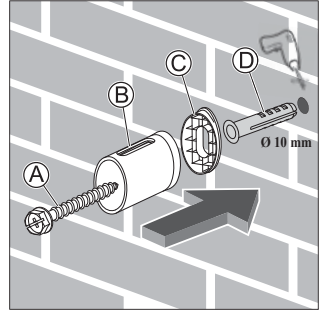


(A, B, C, D, E, F, G, H, I) x 3





(A, B, C, D, E, F, G, H, I) x 4



CURVED